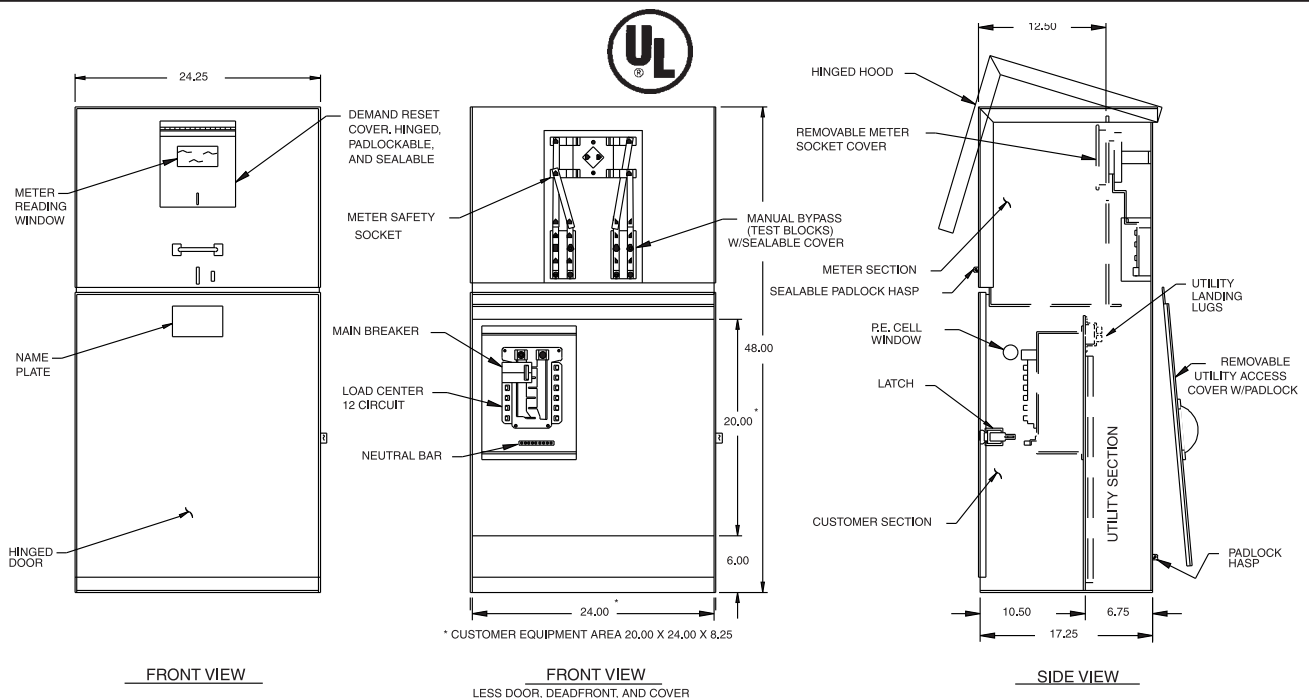


Designed to supply metered power to remote locations.
Typical applications included parking lot lighting, pump stations, and street lighting.



STANDARD FEATURES

- Standard voltage 120/240V 1 ϕ 3W.
- Meter Socket: 4 jaw, 100 amps or 200 amps.
- Meter socket with test blocks.
- 12 circuit copper bussed interior.
- Main Breaker: 100 amp or 200 amp, 10k AIC.
- Utility Landing Lugs: 200 amps, 250 kcmil.
- Utility test section.
- Vandal-resistant hinged door and dead front.
- Light green powder coat finish in accordance with ASTM B-117. Custom colors available.

OPTIONAL FEATURES

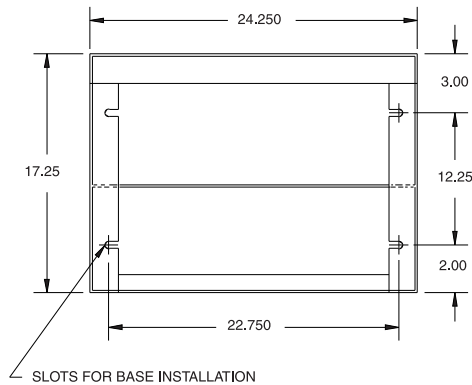
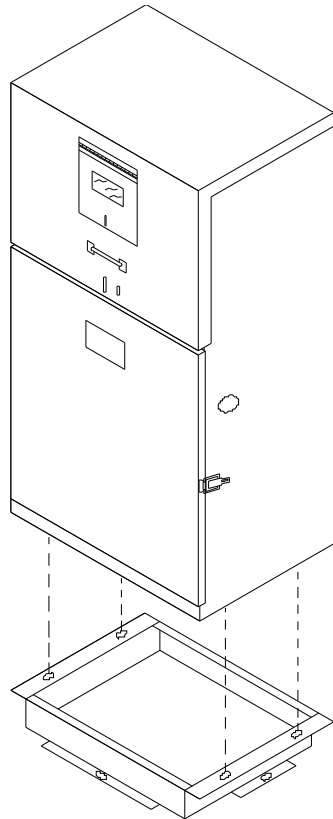
- Maximum voltage 480Y/277V 3 ϕ 4W (may effect optional equipment).
- 12 circuit interior may be increased to 30 circuit.
- Higher AIC available upon request.
- P.E. cell, test switch, lighting relay may be added to standard.
- Some equipment modifications available. Consult your factory representative.
- Meter Sockets: 5 or 7 jaw, 100 amps or 200 amps.
- Uni-body construction available in steel, stainless steel, and aluminum.
- Pad Mounting Base available for concrete foundation. Order separately - MEUG24-BASE.
- Anchor Bolts. Order separately - 714548 (quantity 4).

SPECIFICATIONS

- 12-gauge corrosion-resistant zinc-coated steel construction. Hood and covers 14-gauge.
- Rainproof Type 3R enclosure.
- Complies with Caltrans specification ES-2E.
- Meets EUSERC 308 requirements.
- All factory wiring is 600 volt rated copper.
- Acceptable circuit breakers are GE, ITE, Crouse-Hinds/Murray, Cutler-Hammer.
- Suitable for use without main when no more than six service disconnects are installed and used in accordance with article 384 of the NEC.
- Listed by Underwriters Laboratories, Inc.

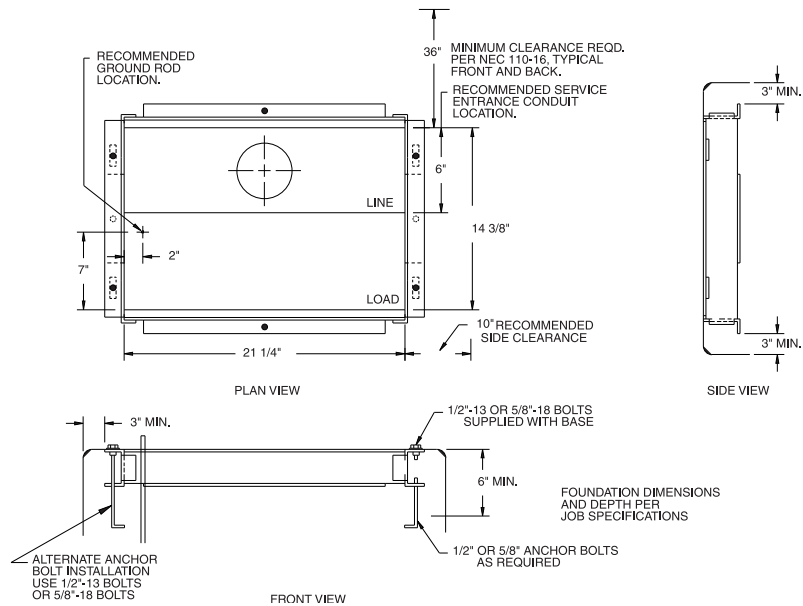
Standard Models
 Custom Configurations also available.
 Consult your factory representative.

| Catalog No. | Amps | Voltage | Main | AIC Rating |
|---|------|---------|------|------------|
| MEUG24-S-M100 | 100 | 120/240 | 100A | 10,000 |
| MEUG24-S-M200 | 200 | 120/240 | 200 | 10,000 |
| For aluminum enclosure, order MEUG24A- For stainless steel enclosure, order MEUG24X- | | | | |



BOTTOM VIEW
 MOUNTING SLOT DETAIL

BASE DETAIL



Tel: 866-MY-MYERS Fax: 951-520-1961
 www.myerspowerproducts.com