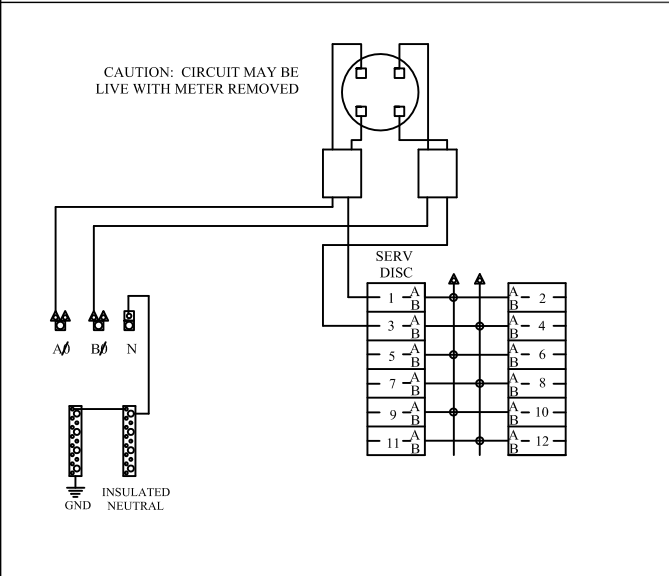


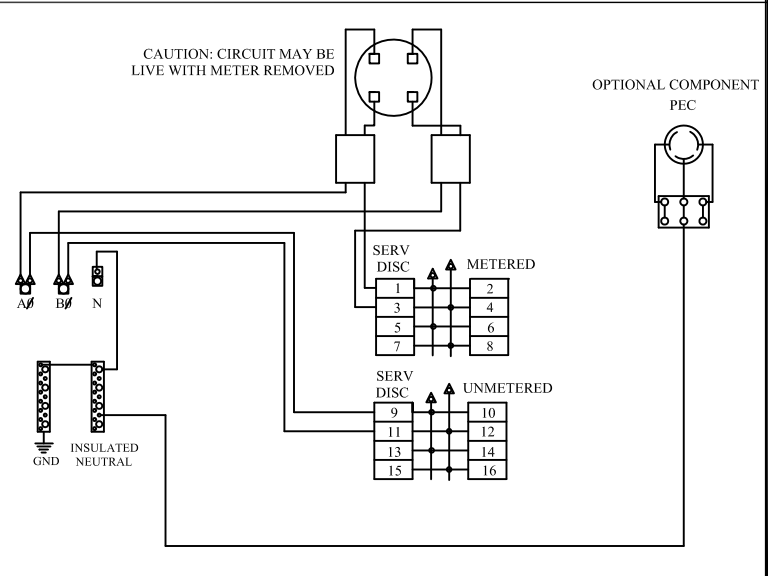
STANDARD CATALOG NUMBERS

CATALOG NUMBER	AMPS	VOLTAGE	PHASE	MAIN	BRANCH CIRCUITS	AIC RATING
USP20-M2100-112CTB	100	120/240	1PH 3W	YES	10	10,000
USP20-M2200-112CTB	200	120/240	1PH 3W	YES	8	10,000
USP20-2M2100-188CTB	100	120/240	1PH 3W	YES	6 & 6	10,000
USP20-100-188CTB	100	120/240	1PH 3W	NO	8 & 8	10,000
USP20-M3100-312CTB	100	208Y/120	3PH 4W	YES	9	10,000
USP20-M3200-312CTB	200	208Y/120	3PH 4W	YES	6	10,000
USP20-M2100-112CTB-SD	100	120/240	1PH 3W	YES	12	42,000
USP20-2M2100-188CTB-SD	100	120/240	1PH 3W	YES	8 & 8	42,000
USP20-100-188CTB-SD	100	120/240	1PH 3W	NO	8 & 8	42,000
USP20-F2100-112CTB	100	120/240	1PH 3W	FUSED	12	42,000

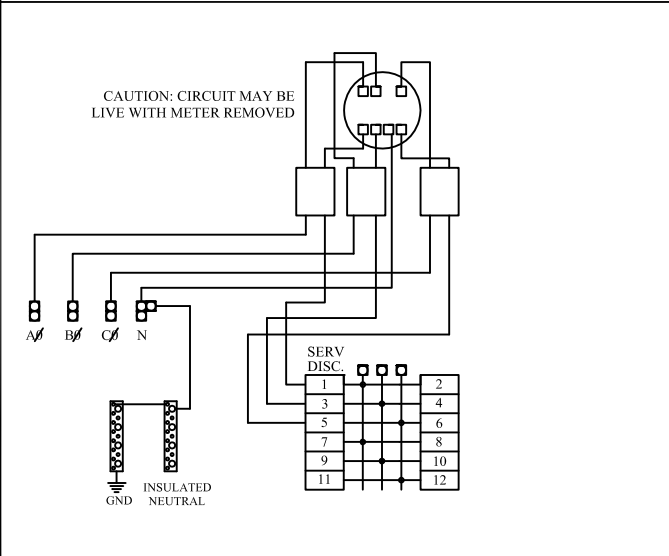
CAT. NO. USP20-M2100-112CTB



CAT. NO. USP20-2M2100-188CTB



CAT. NO. USP20-M3200-312CTB



CAT. NO. USP20-M2100-112CTB-SD

