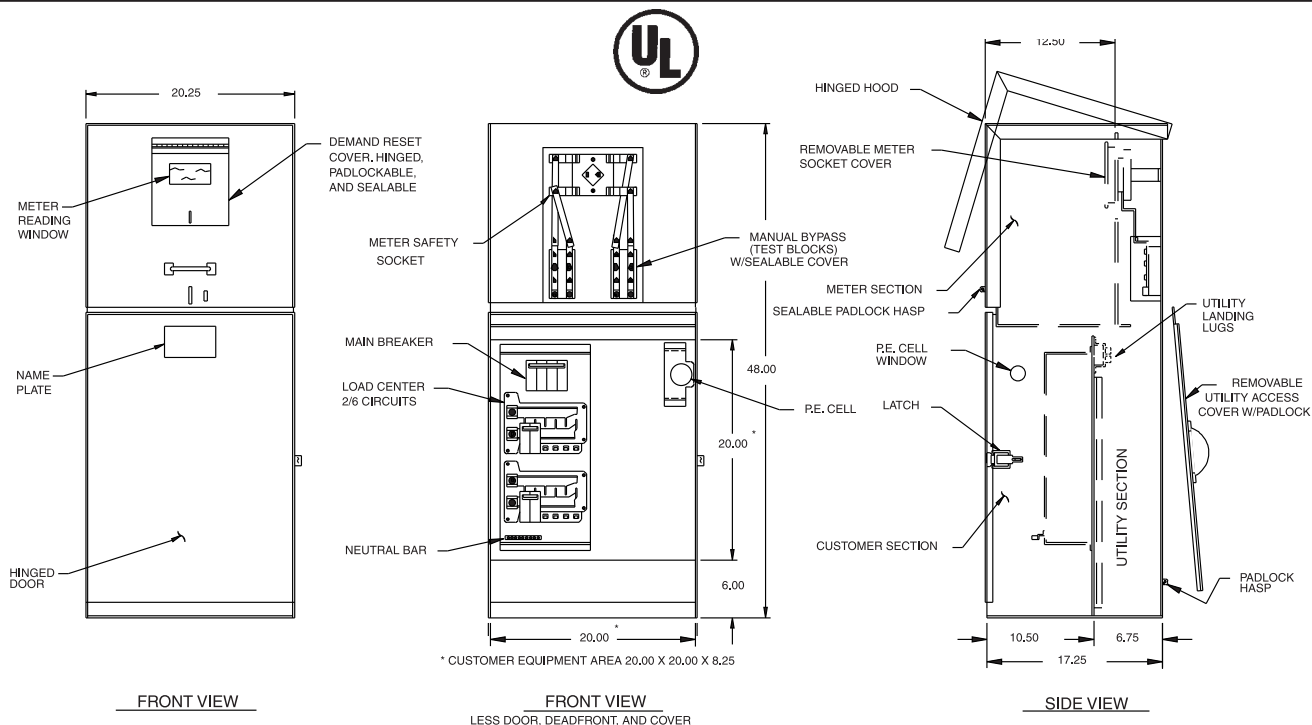




MEUG20-TS

(formerly MEUGS-TS-W/TB)
Caltrans Type III-BF

Traffic signal and street lighting service. Designed to supply both metered and unmetered power from the same service cabinet.



STANDARD FEATURES

- Standard voltage 120/240V 1ø 3W.
- 2-6 circuit copper bussed interiors, metered/unmetered.
- Main Breaker: 100 amps, 10k AIC.
- Utility Landing Lugs: 200 amps, 250 kcmil.
- Vandal-resistant hinged door and dead front.
- Light green powder coat finish in accordance with ASTM B-117. Custom colors available.
- Meter Socket: 4 jaw, 100 amps or 200 amps.
- Meter socket with test blocks.
- Utility test section.

OPTIONAL FEATURES

- Maximum voltage 480Y/277V 3ø 4W (may effect optional equipment).
- Higher AIC available upon request.
- P.E. cell, time clock and lighting relay may be added.
- Some equipment modifications available. Consult your factory representative.
- Meter Sockets: 5 jaw or 7 jaw, 100 amps or 200 amps.
- Aluminum and stainless steel cabinets.
- Uni-body construction available in steel, stainless steel, and aluminum.
- Pad Mounting Base available for concrete foundation. Order separately - MEUG20-BASE.

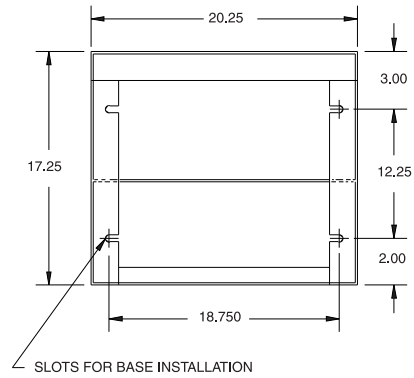
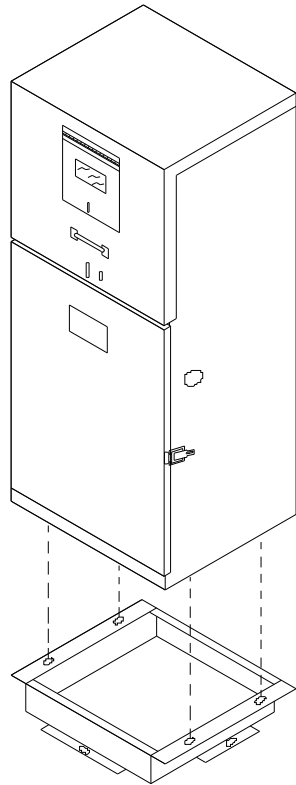
SPECIFICATIONS

- 12-gauge corrosion-resistant zinc-coated steel construction. Hood and covers 14-gauge.
- Rainproof Type 3R enclosure.
- Complies with Caltrans specification ES-2E.
- Meets EUSERC 308 requirements.
- All factory wiring is 600 volt rated copper.

- Acceptable circuit breakers are GE, ITE, Crouse-Hinds/Murray, Cutler-Hammer.
- Suitable for use without main when no more than six service disconnects are installed and used in accordance with article 384 of the NEC.
- Listed by Underwriters Laboratories, Inc.

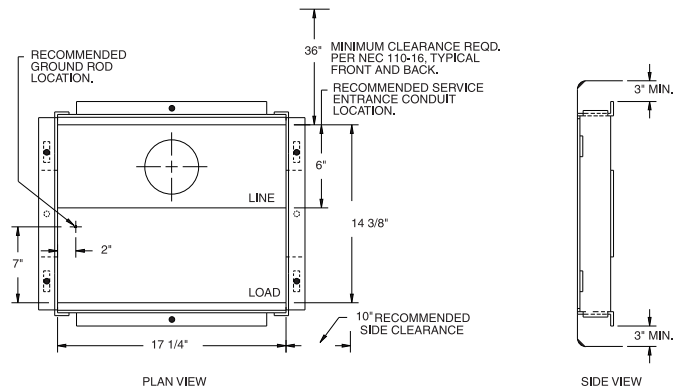
Standard Models
 Custom Configurations also available.
 Consult your factory representative.

Catalog No.	Amps	Voltage	Main	AIC Rating
MEUG20-100TS	100	120/240	NONE	10,000
MEUG20-M100TS	100	120/240	100A	10,000
For aluminum enclosure, order MEUG20A- For stainless steel enclosure, order MEUG20X-				



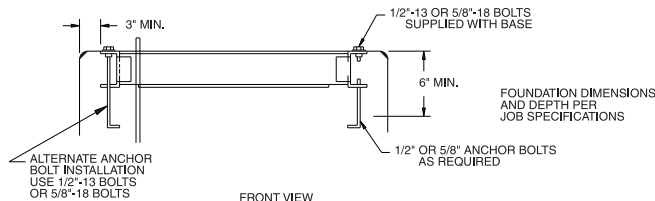
BOTTOM VIEW
MOUNTING SLOT DETAIL

BASE DETAIL



PLAN VIEW

SIDE VIEW



FRONT VIEW



Tel: 866-MY-MYERS Fax: 951-520-1961
 www.myerspowerproducts.com